

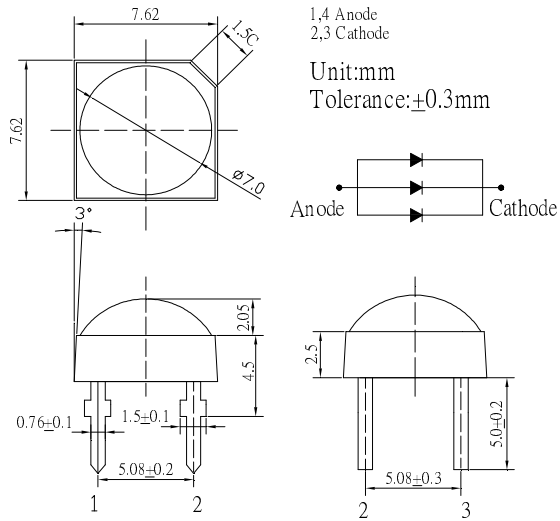
■Features

- High Luminous Super Flux Output
- 7° Standard Directivity
- Superior Weather-resistance
- UV Resistant Epoxy
- Water Clear Type

■Applications

- Traffic Signal
- Backlighting
- Signal and channel letter
- Other Lighting

■Outline Dimension

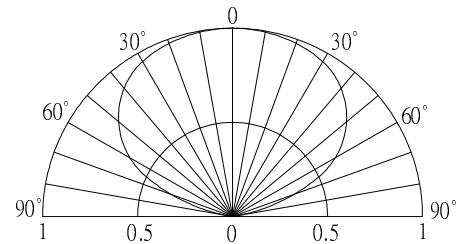


■Absolute Maximum Rating

(Ta=25°C)

Item	Symbol	Value		Unit
		W/M/B/PG	Y/R	
DC Forward Current	I _F	90	70	mA
Pulse Forward Current*	I _{FP}	300	300	mA
Reverse Voltage	V _R	5	5	V
Power Dissipation	P _D	324	182	mW
Operating Temperature	T _{opr}	-30 ~ +85		°C
Storage Temperature	T _{stg}	-40 ~ +100		°C
Lead Soldering Temperature	T _{sol}	260°C /5sec		-

■Directivity



*Pulse width Max.10ms Duty ratio max 1/10

■Electrical -Optical Characteristics

(Ta=25°C)

Part Number	Color		V _F (V)			I _R (μA)	Φ V (LM)			λD(nm)			θ1/2(deg)	
			Min.	Typ.	Max.		Max.	Min.	Typ.	Max.	Min.	Typ.	Max.	Typ.
			I _F =60mA			V _R =5V		I _F =60mA						
OS4WMEZ5D1P	White	W4	2.8	3.1	3.6	30	24	27	-		X=0.31,Y=0.34	-	120	
OS5MMEZ5D1P	Warm white	M5	2.8	3.1	3.6	30	19.5	22	-		X=0.45,Y=0.41	-	120	
OSB56EZ5D1P	Blue	B5	2.8	3.1	3.6	30	5.5	7	-	465	465	475	120	
OSG58EZ5D1P	Pure green	G5	2.8	3.1	3.6	30	10	13	-	520	525	530	120	
OS5YAEZ5D1P	Yellow	Y5	1.8	2.1	2.6	30	9.5	11	-	585	590	595	120	
OS5RAEZ5D1P	Red	R5	1.8	2.1	2.6	30	9.5	11	-	620	625	630	120	

*1 Tolerance of measurements of chromaticity coordinates is ±10%
 *2 Tolerance of measurements of dominant wavelength is ±1nm
 *3 Tolerance of measurements of luminous intensity is ±15%
 *4 Tolerance of measurements of forward voltage is ±0.1V