

FB Series

Deltec Fuse Block

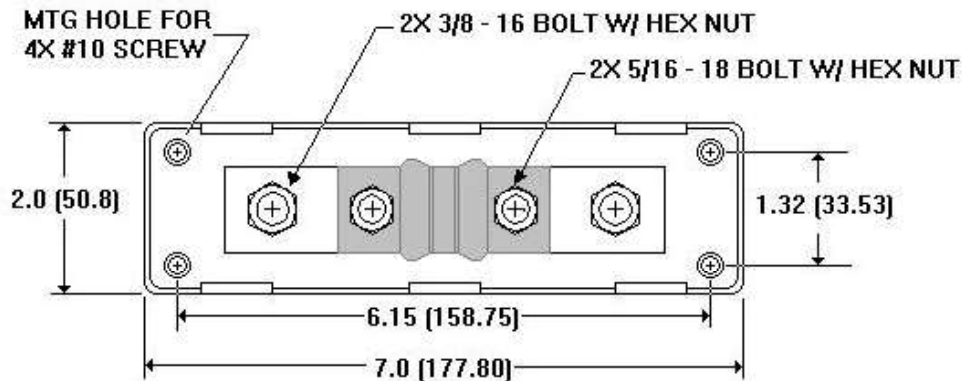


- **Current Rating 110 to 400 Amps**
- **Includes Class T Fuse as Standard**
- **Bare Wire Termination**
- **Common Applications:**
Solar Generators, Wind Power, Heavy Industry, Electroplating, Battery Chargers, Mining

SPECIFICATIONS			
Type	Rated Current (A)	Rated Current Range	FB1: 110 to 200 amp FB2: 250 to 400 amp
FB1-110	110	Operating Temp.	-40°C to +60°C
FB1-125	125	Storage Temp.	-55°C to +80°C
FB1-150	150	Dielectric Strength	750VDC (Terminal Block to Base)
FB1-175	175	Materials	Base: Black Fiberglass Reinforced Polycarbonate Cover: Clear Touch Safe Snap-On Polycarbonate Terminal Block: Bright tin plated brass Hardware: Stainless Steel
FB1-200	200		
FB2-250	250		
FB2-300	300		
FB2-350	350		
FB2-400	400		

3D model available
Please contact factory

2.50 inch maximum height with cover installed



Ordering Information

Part Description: Part Type - Rated current (leave blank for no fuse)

Example: **CFB2-400**